

SafeDial™ wireless GL45-3G



TECHNICAL ADDENDUM

KEYSWITCH ZONE WIRING FOR:

Bosch (16+, 16i, 64, 144, 6000 series)

&

DAS NX ALARM PANELS

Globe Wireless
Level 8 - 499 St Kilda Road Melbourne VIC 3004
www.globetelecom.com.au

Technical Support : 1300 728 650

GLOBE
WIRELESS

Background

Globe’s GL45-3G module has three (3) outputs. These outputs when wired to a Keyswitch zone on the Alarm Panel can arm & disarm up to a maximum of three (3) zones when using the ‘Pocket Secure’ App. Each area should be independently controlled using a separate Keyswitch zone.

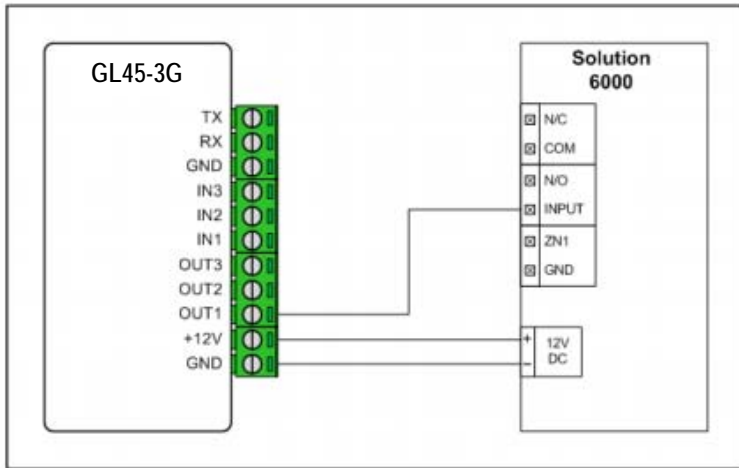


Detailed within this document are the correct wiring procedures and additional notes relative to the Bosch 16+, 16i, 64, 144 and 6000 and DAS NX series of Alarm Panels.

BOSCH 16+, 16i, 64, 144 & 6000 ALARM PANELS

Using the RF Receiver ‘Input’ to the Alarm Panel:

Install a wire between the GL45-3G output and the terminal marked ‘Input’ on the Bosch Alarm Panel. This input is normally located next to the output relays.

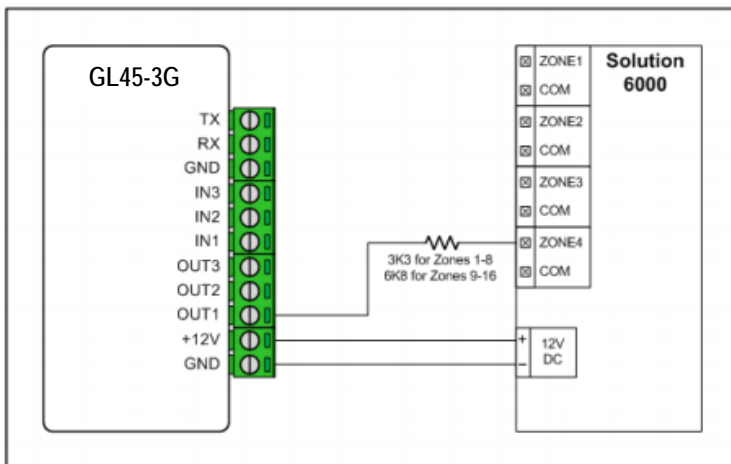


Program the Bosch Alarm Panel as follows:

[Menu 350] = 2 (Pulsed On/Off)

Using the Zone Input:

Fit an EOL resistor in series with the wire between the GL45-3G output and zone input.



Program the Bosch Alarm Panel as follows:

[Menu 341] = 5 (Pulsed All On/Off)

[Menu 311] Zone # = 13 (Keyswitch)

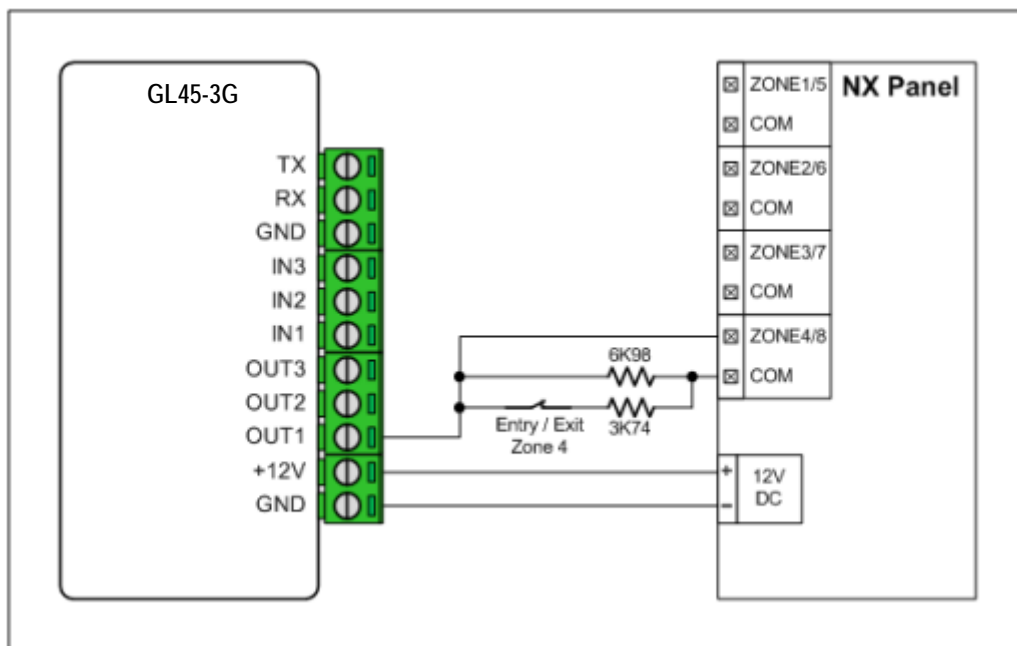
[Menu 318] Zone # = 3 (Inverted Seal)

DAS NX Alarm Panels

Using Zone Doubling:

Preference is to interface the GL45-3G output into the ‘doubled’ zone input that is shared with the Entry / Exit zone, otherwise a relay would be required for different zone types.

The wiring diagram described below, assumes the Entry / Exit zone is on Z4, and Z8 is programmed as the ‘Momentary Keyswitch’ zone.



Not Using Zone Doubling:

Fit EOL resistor in parallel with zone input, then install a wire between the GL45-3G output and the zone input. The zone must then be programmed for ‘Momentary Keyswitch’ operation.

